

SUBMITTAL DATA: MSY-GE24NA & MUY-GE24NA. 24,000 BTU/H WALL-MOUNTED AIR-CONDITIONING SYSTEMS

| | | |
|-------------------|--|-------|
| Job Name: | Location: | Date: |
| Purchaser: | Engineer: | |
| Submitted to: | For <input type="checkbox"/> Reference <input type="checkbox"/> Approval <input type="checkbox"/> Construction | |
| Unit Designation: | Schedule No.: | |

GENERAL FEATURES

- Wall-mounted indoor unit
- Nano Platinum and Anti-allergy Enzyme filters are included
- Quiet operation
- Choice of fan speeds: Low, Medium, High, and Powerful
- Wireless handheld remote controller is included; PAR-21MAA wired remote controller can be installed as an option
- Indoor unit powered from outdoor unit using A-Control
- Auto restart following a power outage
- Limited warranty: five years on parts and defects and seven years on the compressor

OPTIONAL ACCESSORIES
Outdoor Unit

- Three-pole Disconnect Switch (TAZ-MS303)
- Air Outlet Guide (MAC-856SG)
- Mounting Base (DSD-400N)
- Mounting Pad (ULTRILITE1)

Indoor Unit

- Condensate Pump (SI3100-230; 230V)
- Replacement Anti-allergy Enzyme Filters (MAC-2310FT-E; 2/set)

Controller Options

- Wall-mounted Wired Controller (PAR-21MAA; req. MAC-3971F)
- MA Contact Terminal Interface (MAC-3971F)
- M-NET Control Adapter (MAC-3991F)
- Remote Temperature Sensor (M21-JKO-307)
- Lockdown Bracket for Handheld Controller (RCMKP1CB)

Cooling*

Rated Capacity 22,500 Btu/h
 Minimum to Maximum Capacity Range 8,200 - 31,400 Btu/h
 SEER 19.0 Btu/h/W
 EER 12.5 Btu/h/W
 Total Rated Input 1,800 W

* Rating Conditions (Cooling) - Indoor: 80°F (27°C) DB, 67°F (19°C) WB; Outdoor: 95°F (35°C) DB, 75°F (24°C) WB.

Electrical Requirements

Power Supply 208 / 230V, 1-Phase, 60 Hz
 Breaker Size 20 A

Voltage

Indoor - Outdoor S1-S2 AC 208 / 230V
 Indoor - Outdoor S2-S3 DC 12-24V
 Indoor - Remote Controller Wireless

OPERATING CONDITIONS

| | | Indoor Intake Air Temp. | Outdoor Intake Air Temp. |
|---------|---------|-----------------------------------|--------------------------|
| Cooling | Maximum | 90°F (32°C) DB, 73°F (23°C) WB | 115°F (46°C) DB |
| | Minimum | 67°F (19°C) DB, 57°F (14°C) WB | 14°F (-10°C) DB |



Indoor Unit: MSY-GE24NA



Wireless Handheld Remote Controller



Outdoor Unit: MUY-GE24NA

Indoor Unit

MCA 1 A
 Fan Motor 0.76 F.L.A.
 Airflow (Lo - Med - Hi - Powerful)
 Cooling 388 - 469 - 628 - 738 Dry CFM
 347 - 420 - 562 - 661 Wet CFM

Sound Pressure Level (Lo - Med - Hi - Powerful)

Cooling 34 - 41 - 49 - 53 dB(A)

| DIMENSIONS | UNIT INCHES / MM |
|------------|------------------|
| W | 43-5/16 / 1,116 |
| D | 9-3/8 / 238 |
| H | 12-13/16 / 325 |

Weight 37 lbs. / 17 kg
 Moisture Removal 2.7 pt./h
 External Finish Munsell No. 1.0Y 9.2 / 0.2
 Field Drainpipe Size O.D. 5/8" / 15.88 mm
 Remote Controller Wireless Handheld
 (Optional Wired Remote Controller PAR-21MAA;
 see Data Submittal Sheet)

Outdoor Unit

Compressor DC Inverter-driven Twin Rotary
 MCA 17.1 A
 Fan Motor 0.93 F.L.A.
 Sound Pressure Level (Cooling) 55 dB(A)

| DIMENSIONS | INCHES / MM |
|------------|-----------------------------|
| W | 33-1/16 + 3-3/16 / 840 + 81 |
| D | 13 / 330 |
| H | 34-5/8 / 880 |

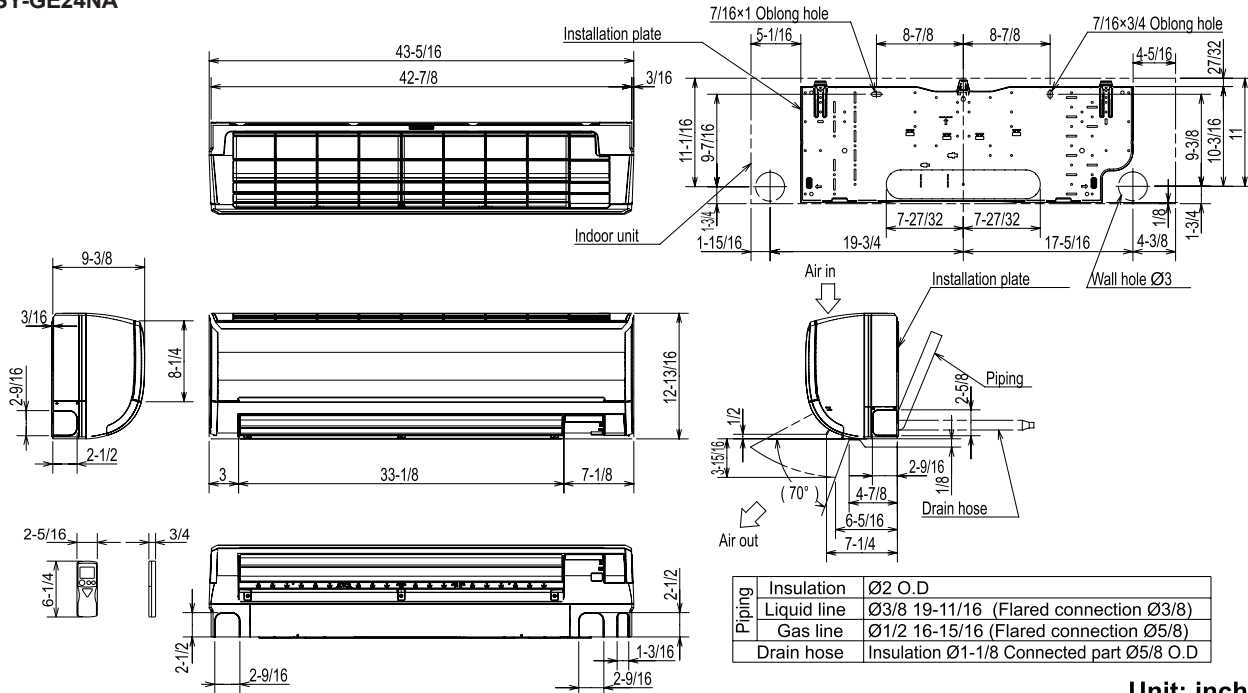
Weight 119 lbs. / 54 kg
 External Finish Munsell No. 3Y 7.8 / 1.1

Refrigerant Type R410A
 Refrigerant Pipe Size O.D.
 Gas Side 5/8" / 15.88 mm
 Liquid Side 3/8" / 6.35 mm
 Max. Refrigerant Pipe Length 100' / 30 m
 Max. Refrigerant Pipe Height Difference 50' / 15 m
 Connection Method Flared

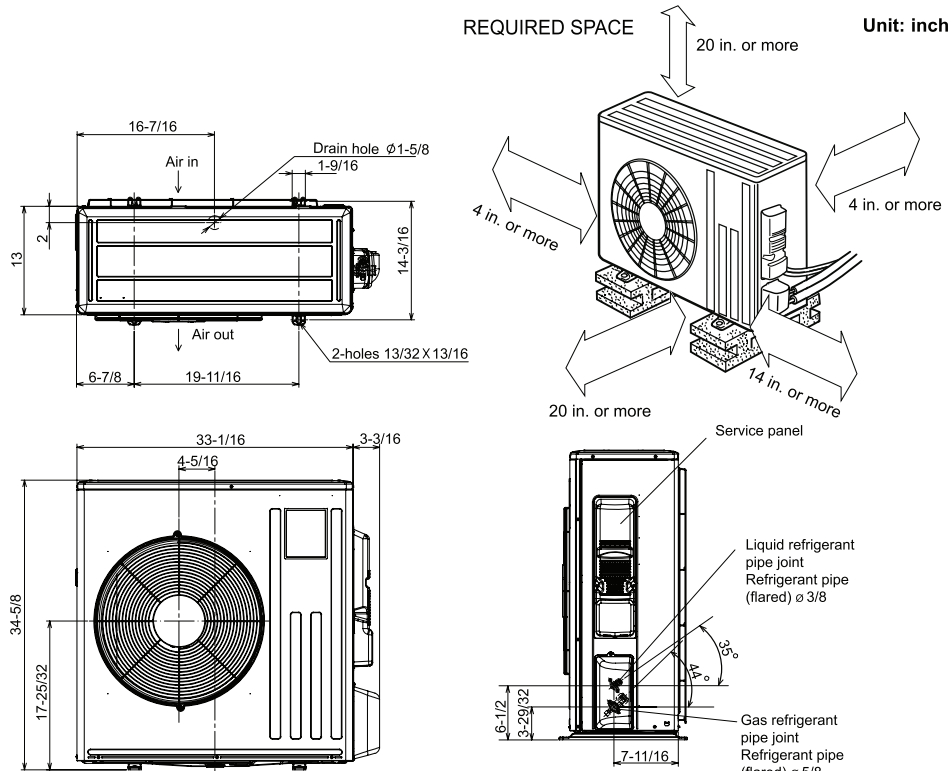


DIMENSIONS: MSY-GE24NA & MUY-GE24NA

MSY-GE24NA



MUY-GE24NA



HVAC Advanced Products Division
 3400 Lawrenceville Suwanee Rd
 Suwanee, GA 30024
 Tele: 678-376-2900 • Fax: 800-889-9904
 Toll Free: 800-433-4822 (#3)
 www.mehvac.com
Specifications are subject to change without notice.